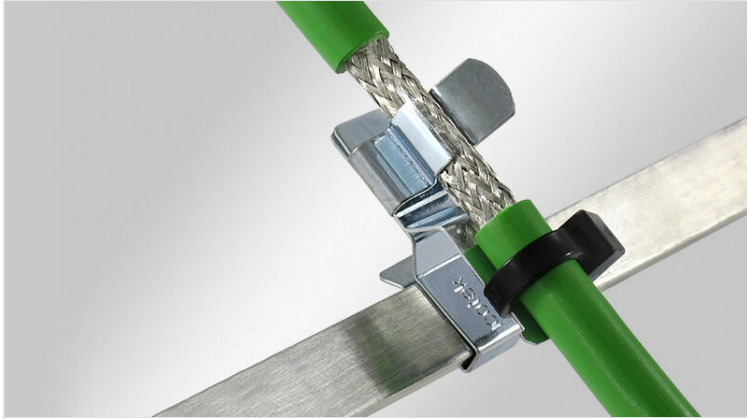


EMC shield clamps for 10 × 3 mm bus bar, pluggable

with or without integrated strain relief



EMC shield clamps are used, where the shield of cables must be connected to the earth potential. They are easy to use and effective in earthing single cable shields.

When using types with integrated strain relief cables can be fixed via the cable jacket using cable ties. Thus strain relief in accordance with EN 62444 is achieved. We also offer EMC shield clamps with double strain relief function acc. to PROFINET installation guidelines.

Due to its special design the clamping ranges of the MSKL are very large while the dimensions are comparatively small. (Example: MSKL 3-12, assembled with a 12 mm cable shield: width 26.25 mm).

The very slim shape of the PFS|SCL is perfect for applications with limited space.

The shield clamps are mounted by snapping them onto a 10 × 3 mm bus bar.



Specifications

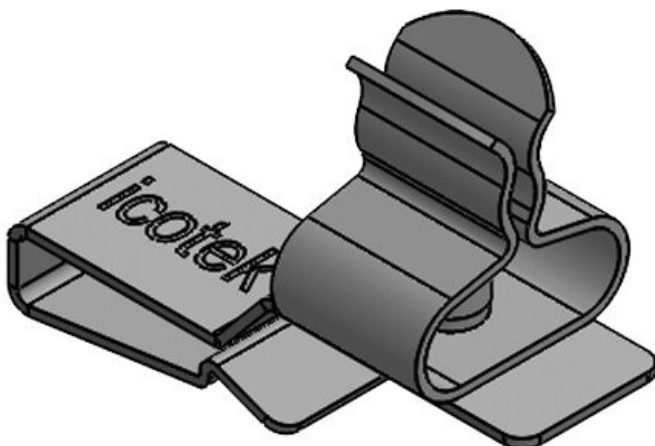
Material	Shield clamp: Spring steel, zinc plated Snap foot: Spring steel Shield bracket: Mild steel, galvanically zinc plated
Properties	vibration proof
Mounting options	Snap-in

Advantages & Benefits

- Partially with integrated strain relief
- Large contact area
- Shield contact and strain relief separated
- Quick assembly without tools
- The spring design requires no adjustments and will permanently maintain contact to the cable shield
- Designed for high density applications
- Shock and vibration resistant, maintenance free
- Integrated double strain relief function acc. to PROFINET installation guidelines

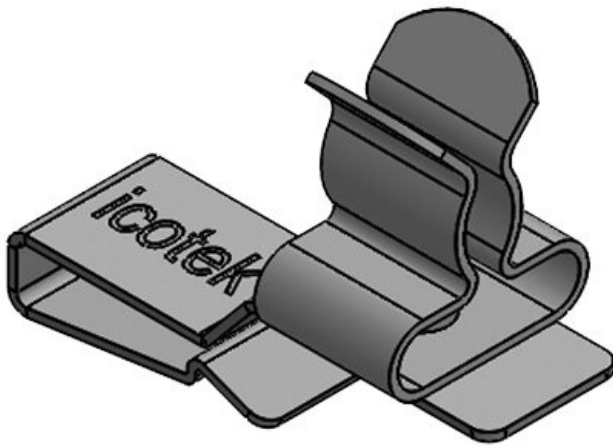
Product types & Sizes

PFS|SKL 1.5-3



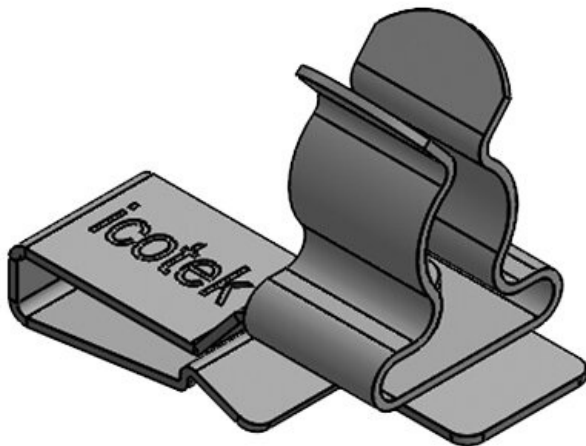
Part No.	36786.1	Length	28,5 mm
EAN	4251269304	Width	12 mm
	309	Height	20,4 mm
Package quantity	10	Mounting height	12,9 mm
No. of shield clamps	1		
For max. no. of cables			
Min. shield diam.	1,5 mm		
Max. shield diam.	3 mm		

PFS|SKL 3-6



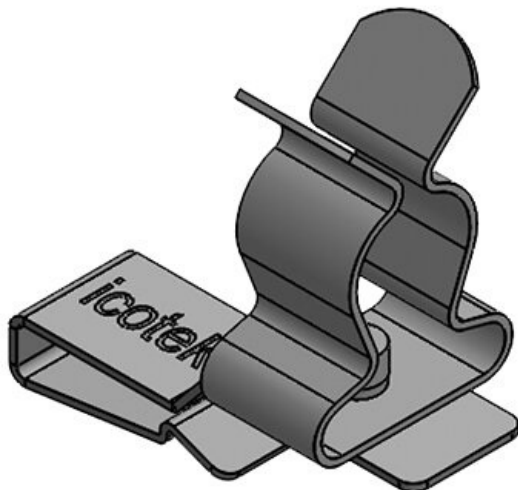
Part No.	36786.2	Length	28,5 mm
EAN	4251269304	Width	12 mm
	316	Height	21 mm
Package quantity	10	Mounting height	13,5 mm
No. of shield clamps	1		
For max. no. of cables	1		
Min. shield diam.	3 mm		
Max. shield diam.	6 mm		

PFS|SKL 6-8



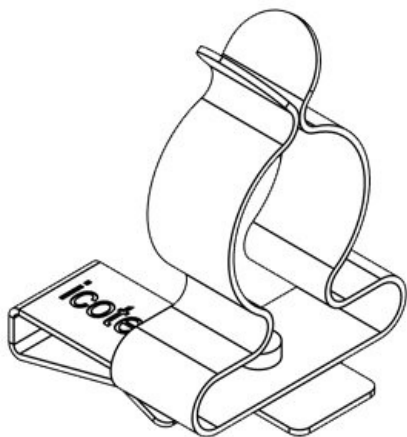
Part No.	36786.3	Length	28,5 mm
EAN	4251269304	Width	12 mm
	323	Height	22,5 mm
Package quantity	10	Mounting height	15 mm
No. of shield clamps	1		
For max. no. of cables	1		
Min. shield diam.	6 mm		
Max. shield diam.	8 mm		

PFS|SKL 8-11



Part No.	36786.4	Length	28,5 mm
EAN	4251269304	Width	12 mm
	330	Height	27,5 mm
Package quantity	10	Mounting height	20 mm
No. of shield clamps	1		
For max. no. of cables	1		
Min. shield diam.	8 mm		
Max. shield diam.	11 mm		

PFS|SKL 11-17



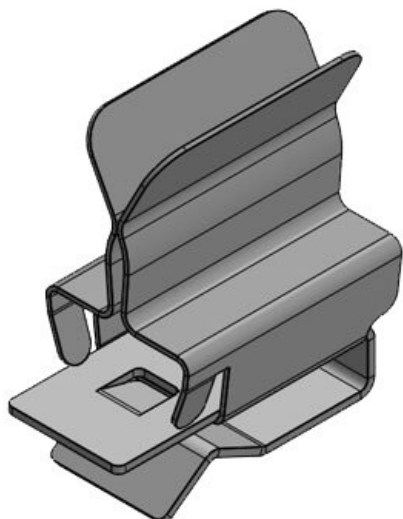
Part No.	36786.5	Length	28,5 mm
EAN	4251269304	Width	21 mm
	347	Height	34,2 mm
Package quantity	10	Mounting height	26,7 mm
No. of shield clamps	1		
For max. no. of cables			
Min. shield diam.	11 mm		
Max. shield diam.	17 mm		

PFS|SKL 17-22



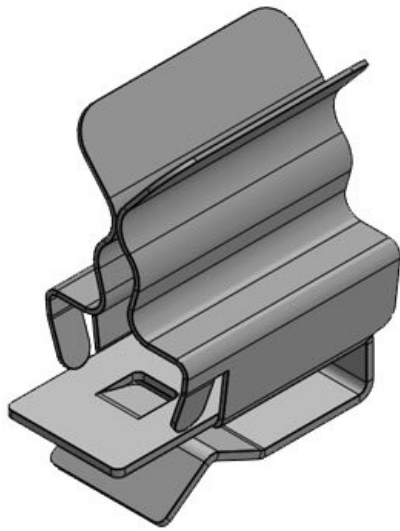
Part No.	36786.6	Length	28,5 mm
EAN	4251269304	Width	26 mm
	354	Height	41,7 mm
Package quantity	10	Mounting height	34,2 mm
No. of shield clamps	1		
For max. no. of cables			
Min. shield diam.	17 mm		
Max. shield diam.	22 mm		

PFS|SCL 1.5-3



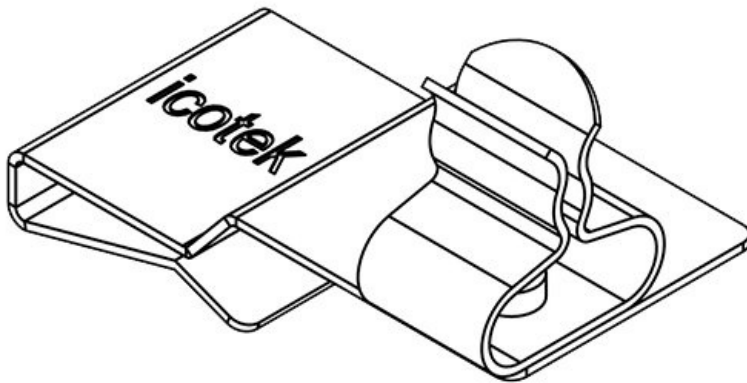
Part No.	36611	Length	18,9 mm
EAN	4251269319	Width	10 mm
	037	Height	21,2 mm
Package quantity	10		
No. of shield clamps	1		
For max. no. of cables			
Min. shield diam.	1,5 mm		
Max. shield diam.	3 mm		

PFS|SCL 3-6



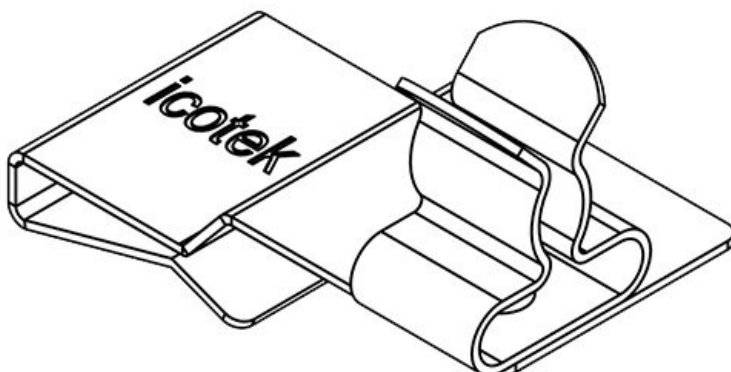
Part No.	36612	Length	18,9 mm
EAN	4251269319	Width	10 mm
	044	Height	21,2 mm
Package quantity	10		
No. of shield clamps	1		
For max. no. of cables	1		
Min. shield diam.	3 mm		
Max. shield diam.	6 mm		

PFS2|SKL 01



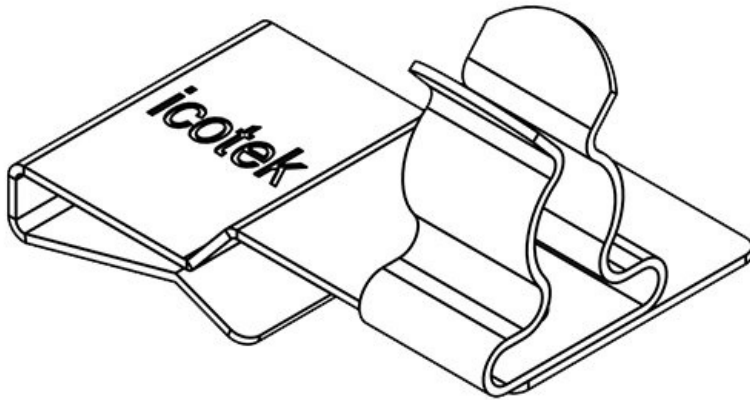
Part No.	36788.01	Length	32,5 mm
EAN	4251269304	Width	18 mm
	408	Height	20,4 mm
Package quantity	10	Mounting height	12,9 mm
No. of shield clamps	1		
For max. no. of cables	1		
Min. shield diam. pos. 2	1,5 mm		
Max. shield diam. pos. 2	3 mm		

PFS2|SKL 02



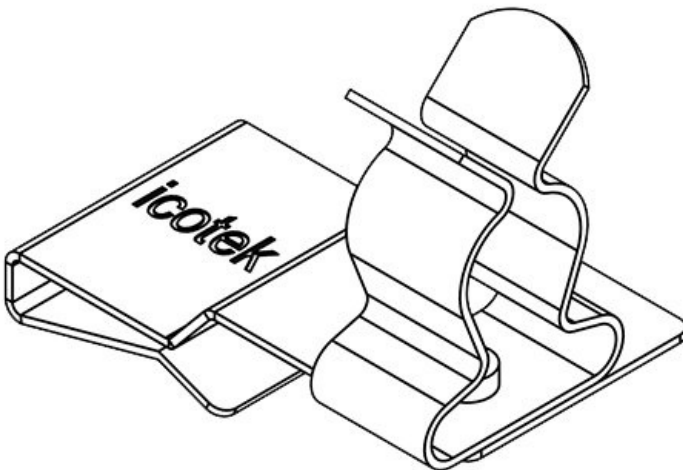
Part No.	36788.02	Length	32,5 mm
EAN	4251269304	Width	18 mm
	415	Height	21 mm
Package quantity	10	Mounting height	13,5 mm
No. of shield clamps	1		
For max. no. of cables	1		
Min. shield diam. pos. 2	3 mm		
Max. shield diam. pos. 2	6 mm		

PFS2|SKL 03



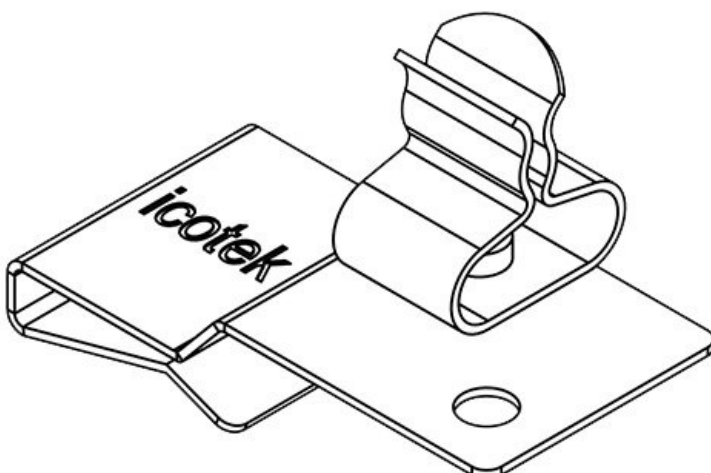
Part No.	36788.03	Length	32,5 mm
EAN	4251269304	Width	18 mm
	422	Height	22,5 mm
Package quantity	10	Mounting height	15 mm
No. of shield clamps	1		
For max. no. of cables	1		
Min. shield diam. pos. 2	6 mm		
Max. shield diam. pos. 2	8 mm		

PFS2|SKL 04



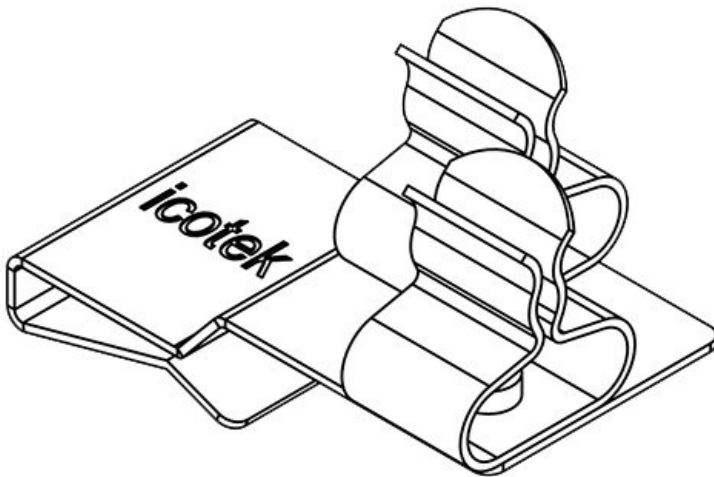
Part No.	36788.04	Length	32,5 mm
EAN	4251269304	Width	18 mm
	439	Height	27,5 mm
Package quantity	10	Mounting height	20 mm
No. of shield clamps	1		
For max. no. of cables	1		
Min. shield diam. pos. 2	8 mm		
Max. shield diam. pos. 2	11 mm		

PFS2|SKL 10



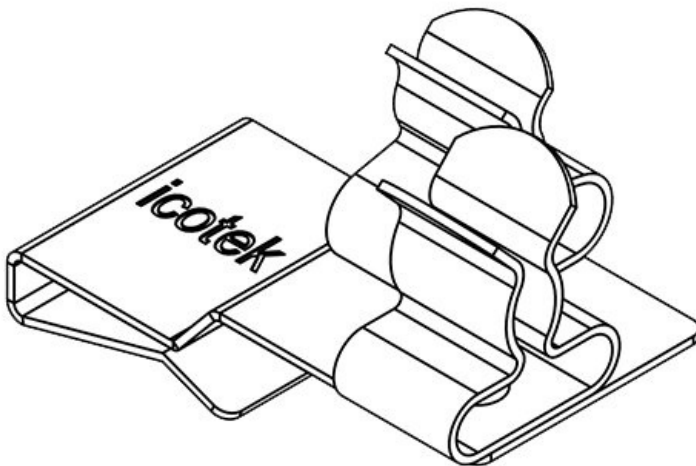
Part No.	36788.10	Length	32,5 mm
EAN	4251269304	Width	18 mm
	446	Height	20,4 mm
Package quantity	10	Mounting height	12,9 mm
No. of shield clamps	1		
For max. no. of cables	1		
Min. shield diam. pos. 1	1,5 mm		
Max. shield diam. pos. 1	3 mm		

PFS2|SKL 11



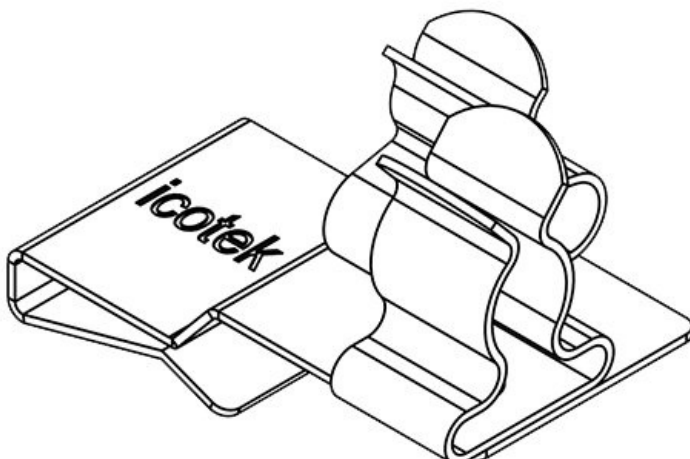
Part No.	36788.11	Min. shield diam. pos. 2	1,5 mm
EAN	4251269304	Max. shield diam. pos. 2	3 mm
Package quantity	10	Length	32,5 mm
No. of shield clamps	2	Width	20 mm
For max. no. of cables		Height	20,4 mm
Min. shield diam. pos. 1	1,5 mm	Mounting height	12,9 mm
Max. shield diam. pos. 1	3 mm		

PFS2|SKL 12



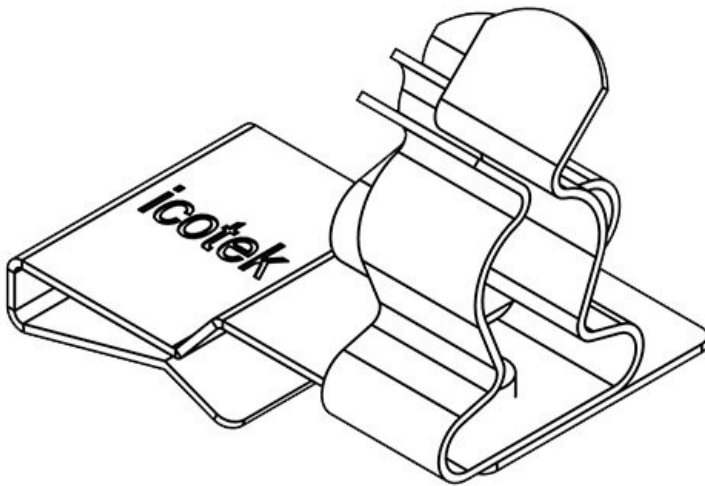
Part No.	36788.12	Min. shield diam. pos. 2	3 mm
EAN	4251269304	Max. shield diam. pos. 2	6 mm
Package quantity	10	Length	32,5 mm
No. of shield clamps	2	Width	20 mm
For max. no. of cables		Height	21 mm
Min. shield diam. pos. 1	1,5 mm	Mounting height	13,5 mm
Max. shield diam. pos. 1	3 mm		

PFS2|SKL 13



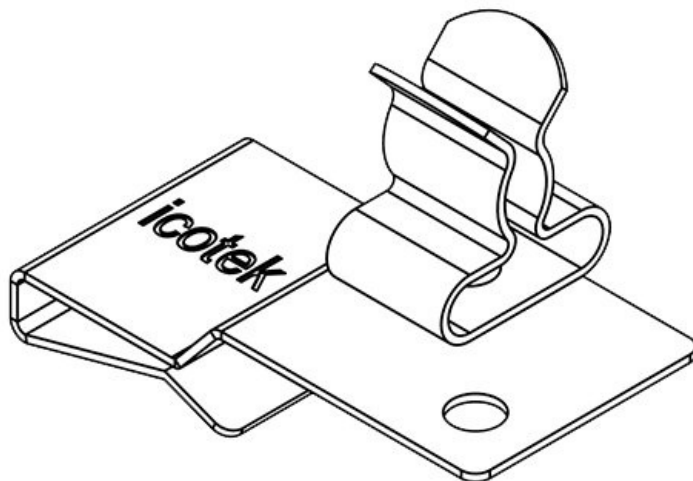
Part No.	36788.13	Min. shield diam. pos. 2	6 mm
EAN	4251269304	Max. shield diam. pos. 2	8 mm
Package quantity	10	Length	32,5 mm
No. of shield clamps	2	Width	20 mm
For max. no. of cables		Height	22,5 mm
Min. shield diam. pos. 1	1,5 mm	Mounting height	15 mm
Max. shield diam. pos. 1	3 mm		

PFS2|SKL 14



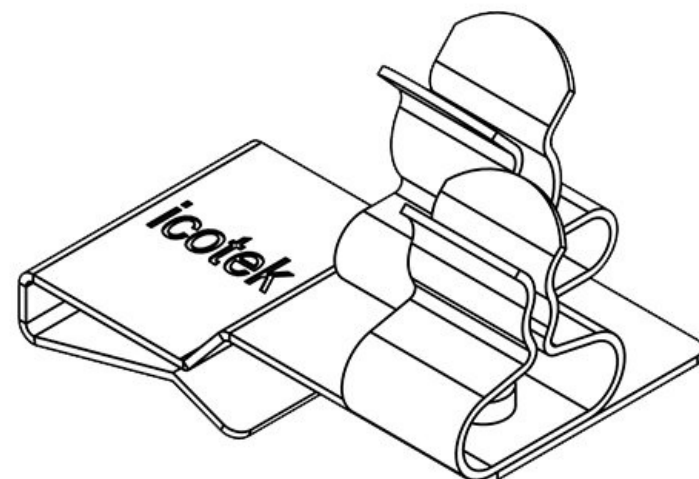
Part No.	36788.14	Min. shield diam. pos. 2	8 mm
EAN	4251269304	Max. shield diam. pos. 2	11 mm
Package quantity	10	Length	32,5 mm
No. of shield clamps	2	Width	20 mm
For max. no. of cables		Height	27,5 mm
Min. shield diam. pos. 1	1,5 mm	Mounting height	20 mm
Max. shield diam. pos. 1	3 mm		

PFS2|SKL 20



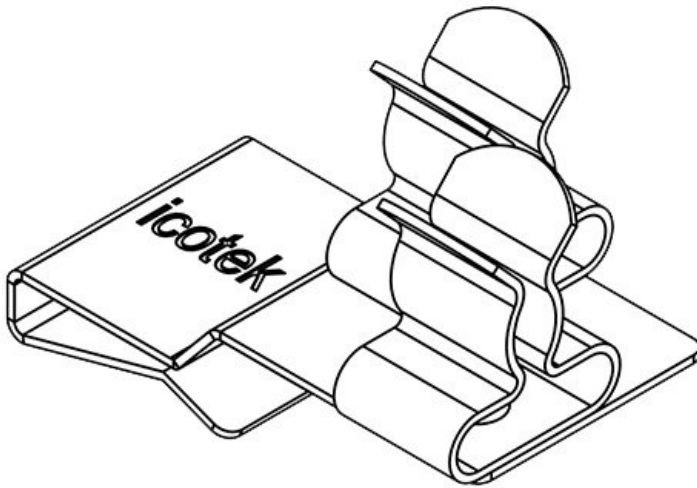
Part No.	36788.20	Length	32,5 mm
EAN	4251269304	Width	18 mm
Package quantity	10	Height	21 mm
No. of shield clamps	1	Mounting height	13,5 mm
For max. no. of cables			
Min. shield diam. pos. 1	3 mm		
Max. shield diam. pos. 1	6 mm		

PFS2|SKL 21



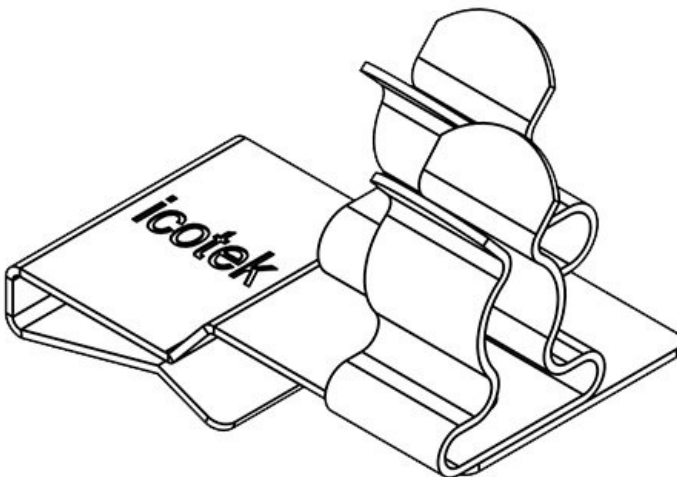
Part No.	36788.21	Min. shield diam. pos. 2	1,5 mm
EAN	4251269304	Max. shield diam. pos. 2	3 mm
Package quantity	10	Length	32,5 mm
No. of shield clamps	2	Width	20 mm
For max. no. of cables		Height	21 mm
Min. shield diam. pos. 1	3 mm	Mounting height	13,5 mm
Max. shield diam. pos. 1	6 mm		

PFS2|SKL 22



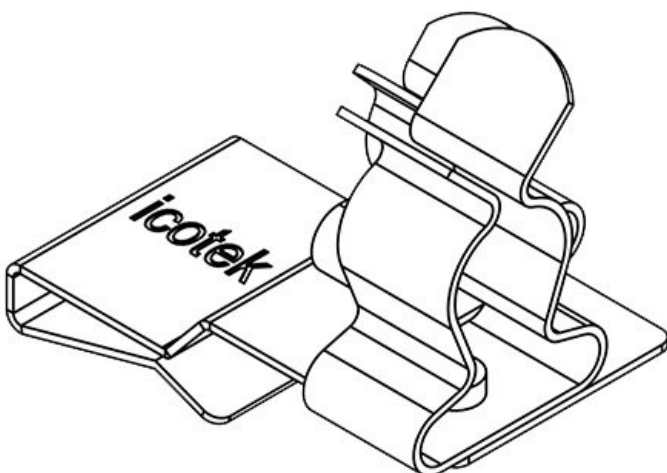
Part No.	36788.22	Min. shield diam. pos. 2	3 mm
EAN	4251269304514	Max. shield diam. pos. 2	6 mm
Package quantity	10	Length	32,5 mm
No. of shield clamps	2	Width	20 mm
For max. no. of cables	2	Height	21 mm
Min. shield diam. pos. 1	3 mm	Mounting height	13,5 mm
Max. shield diam. pos. 1	6 mm		

PFS2|SKL 23



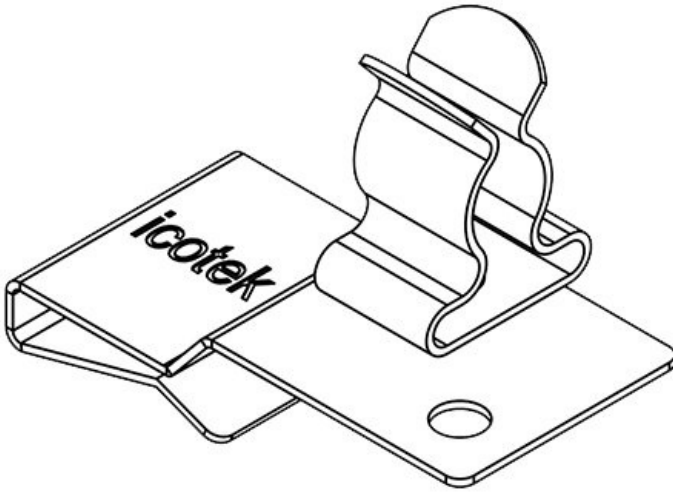
Part No.	36788.23	Min. shield diam. pos. 2	6 mm
EAN	4251269304521	Max. shield diam. pos. 2	8 mm
Package quantity	10	Length	32,5 mm
No. of shield clamps	2	Width	20 mm
For max. no. of cables	2	Height	22,5 mm
Min. shield diam. pos. 1	3 mm	Mounting height	15 mm
Max. shield diam. pos. 1	6 mm		

PFS2|SKL 24



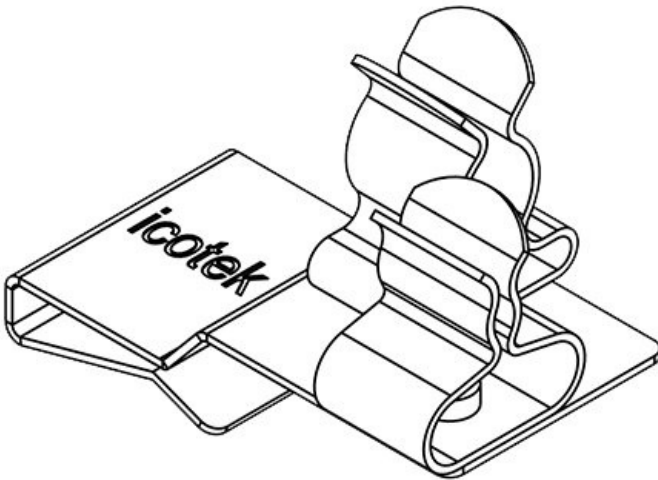
Part No.	36788.24	Min. shield diam. pos. 2	8 mm
EAN	4251269304538	Max. shield diam. pos. 2	11 mm
Package quantity	10	Length	32,5 mm
No. of shield clamps	2	Width	20 mm
For max. no. of cables	2	Height	27,5 mm
Min. shield diam. pos. 1	3 mm	Mounting height	20,5 mm
Max. shield diam. pos. 1	6 mm		

PFS2|SKL 30



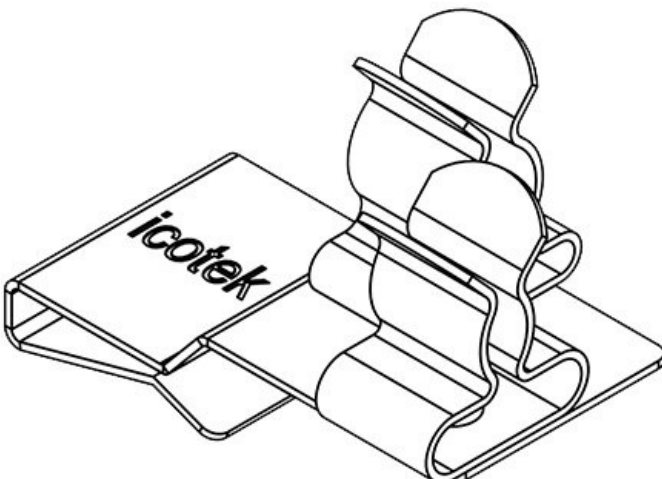
Part No.	36788.30	Length	32,5 mm
EAN	4251269304	Width	18 mm
	545	Height	22,5 mm
Package quantity	10	Mounting height	15 mm
No. of shield clamps	1		
For max. no. of cables			
Min. shield diam. pos. 1	6 mm		
Max. shield diam. pos. 1	8 mm		

PFS2|SKL 31



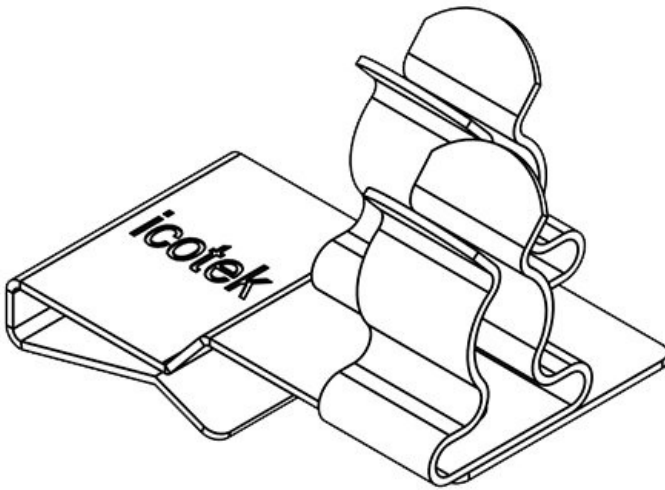
Part No.	36788.31	Min. shield diam. pos. 2	1,5 mm
EAN	4251269304	Max. shield diam. pos. 2	3 mm
	552	Length	32,5 mm
Package quantity	10	Width	20 mm
No. of shield clamps	2	Height	22,5 mm
For max. no. of cables	2	Mounting height	15 mm
Min. shield diam. pos. 1	6 mm		
Max. shield diam. pos. 1	8 mm		

PFS2|SKL 32



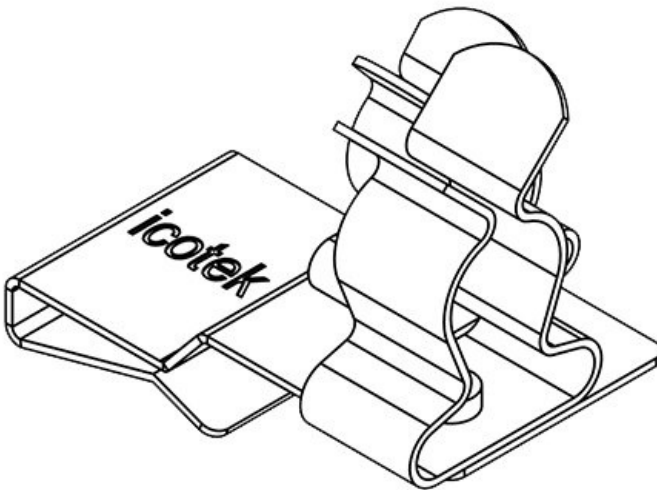
Part No.	36788.32	Min. shield diam. pos. 2	3 mm
EAN	4251269304	Max. shield diam. pos. 2	6 mm
	569	Length	32,5 mm
Package quantity	10	Width	20 mm
No. of shield clamps	2	Height	22,5 mm
For max. no. of cables	2	Mounting height	15 mm
Min. shield diam. pos. 1	6 mm		
Max. shield diam. pos. 1	8 mm		

PFS2|SKL 33



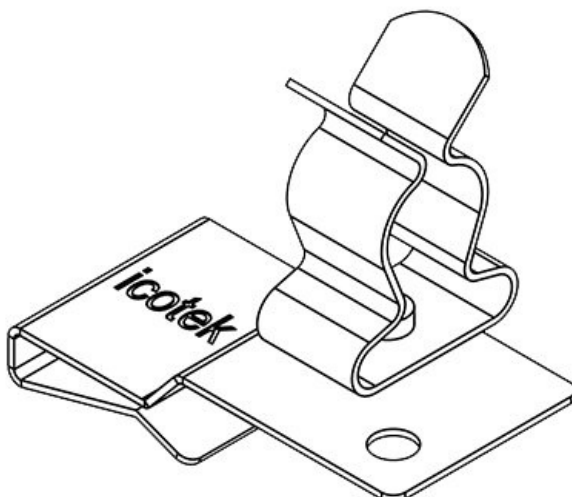
Part No.	36788.33	Min. shield diam. pos. 2	6 mm
EAN	4251269304	Max. shield diam. pos. 2	8 mm
Package quantity	10	Length	32,5 mm
No. of shield clamps	2	Width	20 mm
For max. no. of cables		Height	22,5 mm
Min. shield diam. pos. 1	6 mm	Mounting height	15 mm
Max. shield diam. pos. 1	8 mm		

PFS2|SKL 34



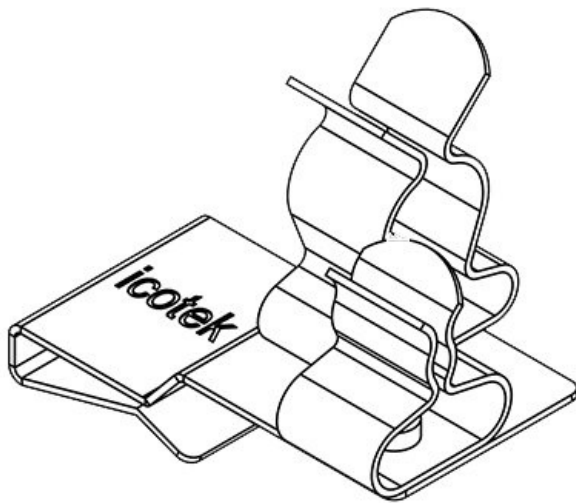
Part No.	36788.34	Min. shield diam. pos. 2	8 mm
EAN	4251269304	Max. shield diam. pos. 2	11 mm
Package quantity	10	Length	32,5 mm
No. of shield clamps	2	Width	20 mm
For max. no. of cables		Height	27,5 mm
Min. shield diam. pos. 1	6 mm	Mounting height	20 mm
Max. shield diam. pos. 1	8 mm		

PFS2|SKL 40



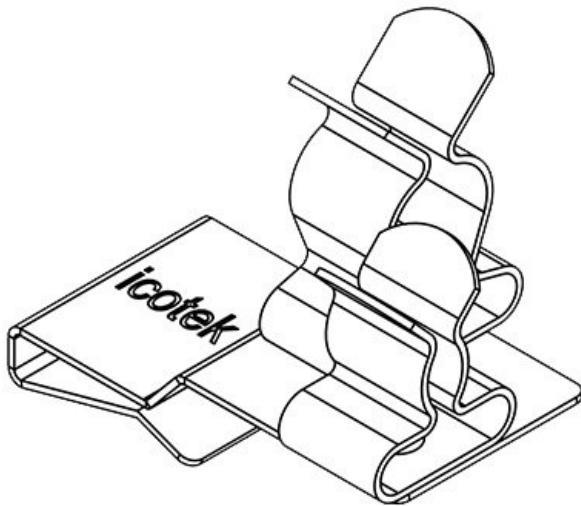
Part No.	36788.40	Length	32,5 mm
EAN	4251269304	Width	18 mm
Package quantity	10	Height	27,5 mm
No. of shield clamps	1	Mounting height	20 mm
For max. no. of cables			
Min. shield diam. pos. 1	8 mm		
Max. shield diam. pos. 1	11 mm		

PFS2|SKL 41



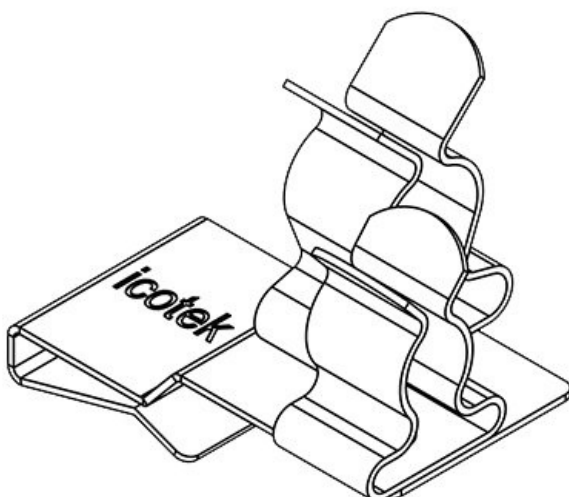
Part No.	36788.41	Min. shield diam. pos. 2	1,5 mm
EAN	4251269304606	Max. shield diam. pos. 2	3 mm
Package quantity	10	Length	32,5 mm
No. of shield clamps	2	Width	20 mm
For max. no. of cables		Height	27,5 mm
Min. shield diam. pos. 1	8 mm	Mounting height	20 mm
Max. shield diam. pos. 1	11 mm		

PFS2|SKL 42

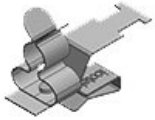


Part No.	36788.42	Min. shield diam. pos. 2	3 mm
EAN	4251269304613	Max. shield diam. pos. 2	6 mm
Package quantity	10	Length	32,5 mm
No. of shield clamps	2	Width	20 mm
For max. no. of cables		Height	27,5 mm
Min. shield diam. pos. 1	8 mm	Mounting height	20 mm
Max. shield diam. pos. 1	11 mm		

PFS2|SKL 43



Part No.	36788.43	Min. shield diam. pos. 2	6 mm
EAN	4251269304620	Max. shield diam. pos. 2	8 mm
Package quantity	10	Length	32,5 mm
No. of shield clamps	2	Width	20 mm
For max. no. of cables		Height	27,5 mm
Min. shield diam. pos. 1	8 mm	Mounting height	20 mm
Max. shield diam. pos. 1	11 mm		

PFSZ-M|MSKL 3-12

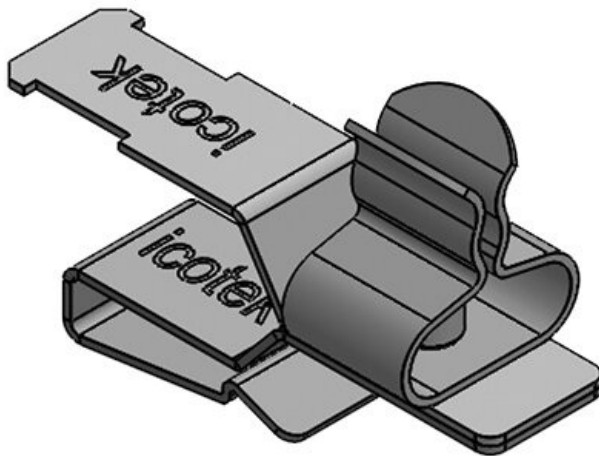
Part No. **37630**
 EAN **4251269316722**
 Package quantity **10**
 Length **38 mm**
 Strain relief (acc. to EN 62444) **1**
 No. of shield clamps **1**
 For max. no. of cables **1**

Min. shield diam. **3 mm**
 Max. shield diam. **12 mm**
 Width **15 mm**
 Height **28,7 mm**
 Mounting height **25 mm**

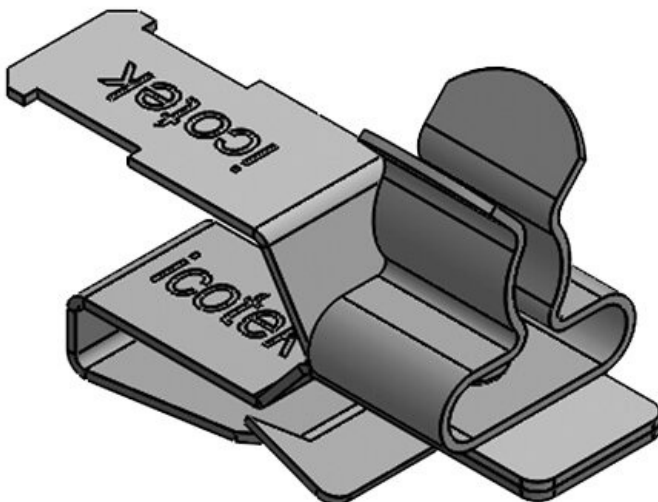
PFSZ-M|MSKL 8-18

Part No. **37632**
 EAN **4251269316739**
 Package quantity **10**
 Length **38 mm**
 Strain relief (acc. to EN 62444) **1**
 No. of shield clamps **1**
 For max. no. of cables **1**

Min. shield diam. **8 mm**
 Max. shield diam. **18 mm**
 Width **20 mm**
 Height **34,9 mm**
 Mounting height **31,2 mm**

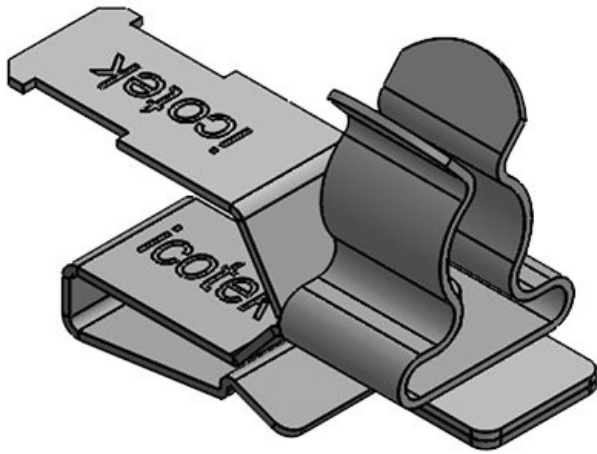
PFSZ|SKL 1.5-3

Part No. **36787.1** Max. shield **3 mm**
 EAN **4251269304** diam.
361 Length **33 mm**
 Package **10** Width **12 mm**
 quantity Height **21 mm**
 No. of shield **1** Mounting **13,5 mm**
 clamps height
 Strain relief **1**
 (acc. to EN
 62444)
 For max. no. of **1**
 cables
 Min. shield **1,5 mm**
 diam.

PFSZ|SKL 3-6

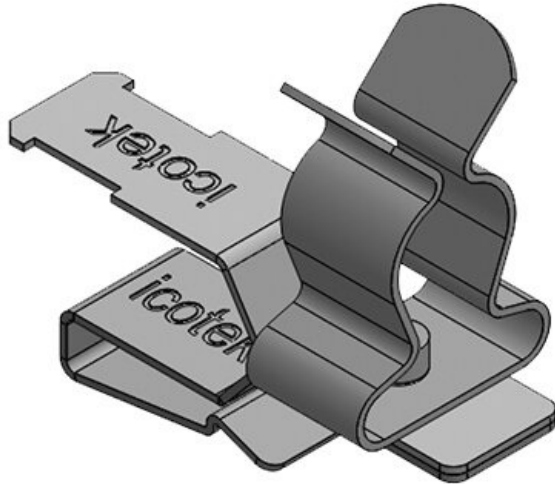
Part No. **36787.2** Max. shield **6 mm**
 EAN **4251269304** diam.
378 Length **33 mm**
 Package **10** Width **12 mm**
 quantity Height **22 mm**
 No. of shield **1** Mounting **14,5 mm**
 clamps height
 Strain relief **1**
 (acc. to EN
 62444)
 For max. no. of **1**
 cables
 Min. shield **3 mm**
 diam.

PFSZ|SKL 6-8



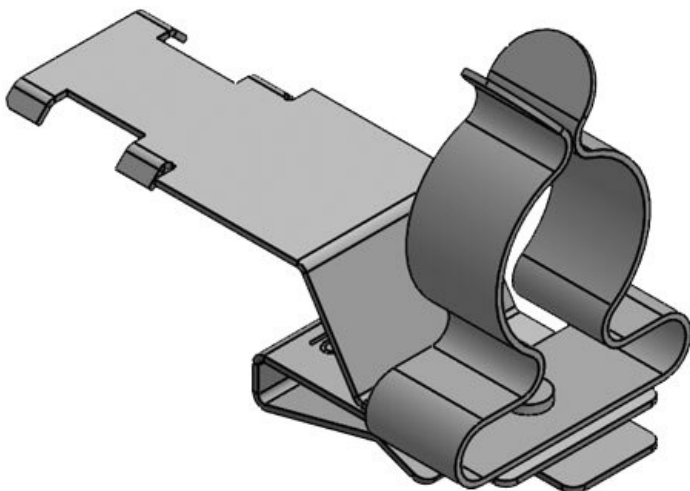
Part No.	36787.3	Max. shield diam.	8 mm
EAN	4251269304	Length	33 mm
Package quantity	10	Width	12 mm
No. of shield clamps	1	Height	23 mm
Strain relief (acc. to EN 62444)	1	Mounting height	15,5 mm
For max. no. of cables			
Min. shield diam.	6 mm		

PFSZ|SKL 8-11

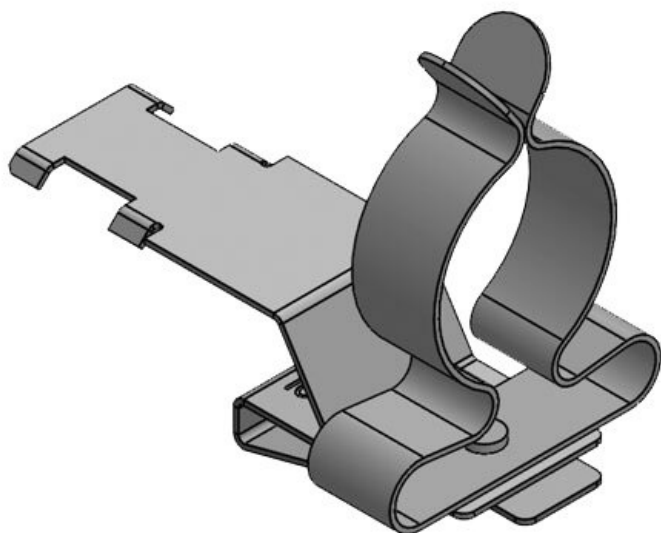


Part No.	36787.4	Max. shield diam.	11 mm
EAN	4251269304	Length	33 mm
Package quantity	10	Width	12 mm
No. of shield clamps	1	Height	28 mm
Strain relief (acc. to EN 62444)	1	Mounting height	20,5 mm
For max. no. of cables			
Min. shield diam.	8 mm		

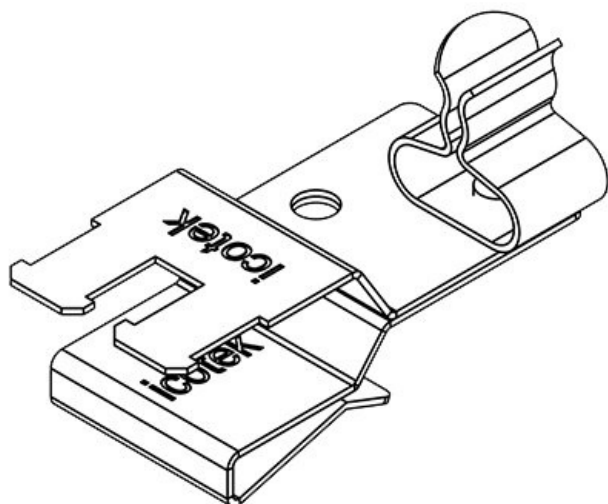
PFSZ|SKL 11-17



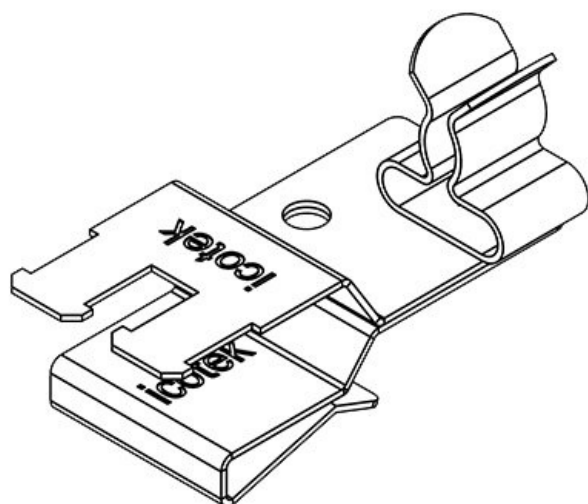
Part No.	36787.5	Max. shield diam.	17 mm
EAN	4251269321	Length	41 mm
Package quantity	10	Width	21 mm
No. of shield clamps	1	Height	35 mm
Strain relief (acc. to EN 62444)	1	Mounting height	27,5 mm
For max. no. of cables			
Min. shield diam.	11 mm		



Part No.	36787.6	Max. shield diam.	22 mm
EAN	4251269321	Length	48 mm
Package quantity	10	Width	26,5 mm
No. of shield clamps	1	Height	42,5 mm
Strain relief (acc. to EN 62444)	1	Mounting height	35 mm
For max. no. of cables	1		
Min. shield diam.	17 mm		

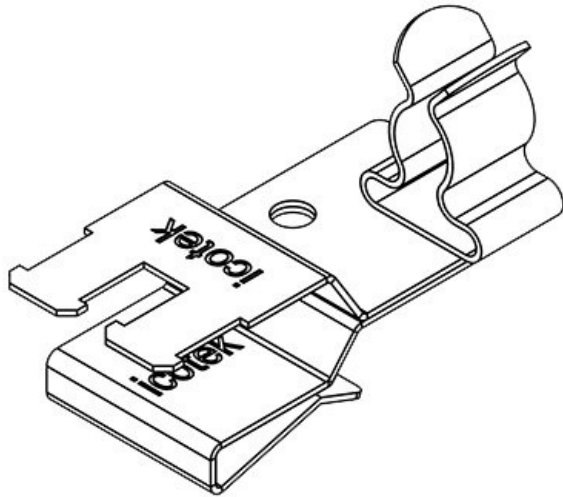


Part No.	36789.01	Min. shield diam. pos. 2	1,5 mm
EAN	4251269304	Max. shield diam. pos. 2	3 mm
Package quantity	10	Width	18 mm
Length	37 mm	Height	21 mm
Strain relief (acc. to EN 62444)	1	Mounting height	13,5 mm
No. of shield clamps	1		
For max. no. of cables	1		



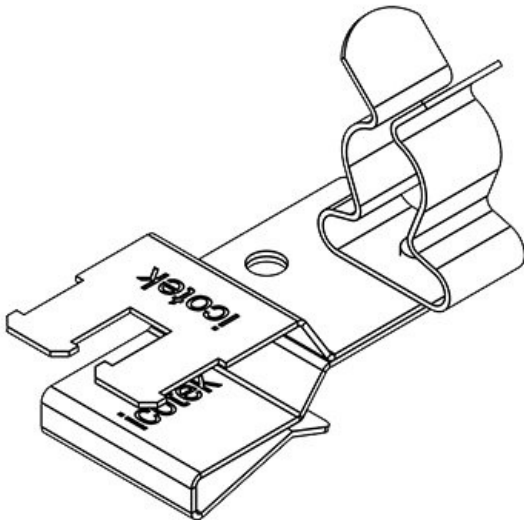
Part No.	36789.02	Min. shield diam. pos. 2	3 mm
EAN	4251269304	Max. shield diam. pos. 2	6 mm
Package quantity	10	Width	18 mm
Length	37 mm	Height	21,6 mm
Strain relief (acc. to EN 62444)	1	Mounting height	14,1 mm
No. of shield clamps	1		
For max. no. of cables	1		

PFSZ2|SKL 03



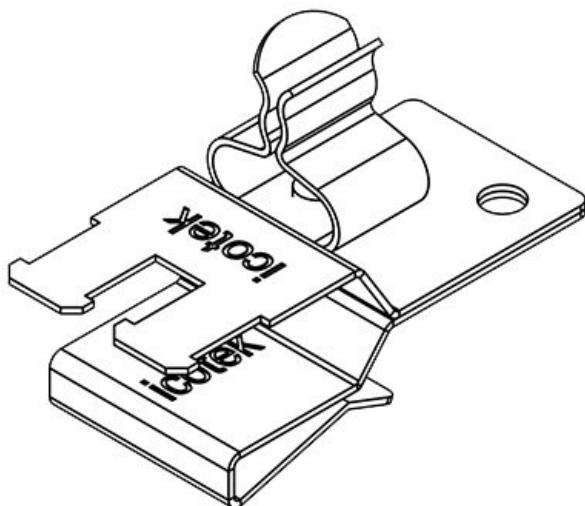
Part No.	36789.03	Min. shield	6 mm
EAN	4251269304	diam. pos. 2	
	651	Max. shield	8 mm
Package	10	diam. pos. 2	
quantity		Width	18 mm
Length	37 mm	Height	23 mm
Strain relief	1	Mounting	15,5 mm
(acc. to EN		height	
62444)			
No. of shield	1		
clamps			
For max. no. of	1		
cables			

PFSZ2|SKL 04



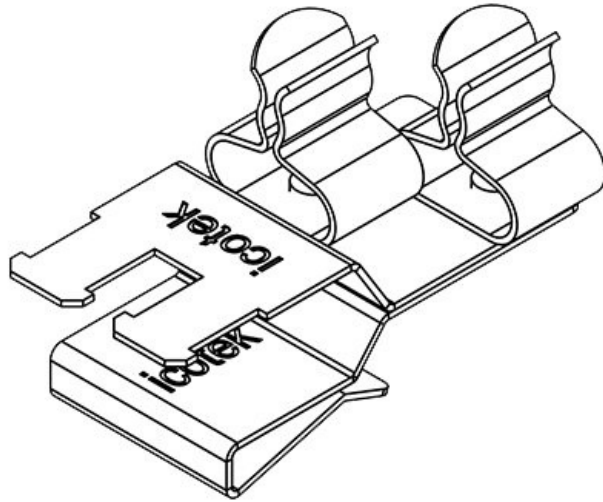
Part No.	36789.04	Min. shield	8 mm
EAN	4251269304	diam. pos. 2	
	668	Max. shield	11 mm
Package	10	diam. pos. 2	
quantity		Width	18 mm
Length	37 mm	Height	28 mm
Strain relief	1	Mounting	21,7 mm
(acc. to EN		height	
62444)			
No. of shield	1		
clamps			
For max. no. of	1		
cables			

PFSZ2|SKL 10



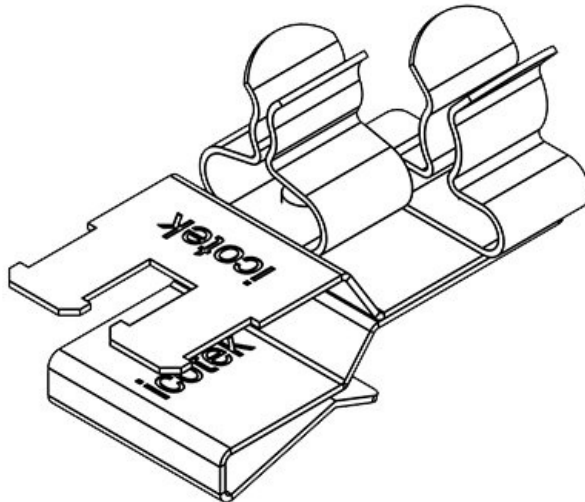
Part No.	36789.10	Min. shield	1,5 mm
EAN	4251269304	diam. pos. 1	
	675	Max. shield	3 mm
Package	10	diam. pos. 1	
quantity		Width	18 mm
Length	37 mm	Height	21 mm
Strain relief	1	Mounting	13,5 mm
(acc. to EN		height	
62444)			
No. of shield	1		
clamps			
For max. no. of	1		
cables			

PFSZ2|SKL 11



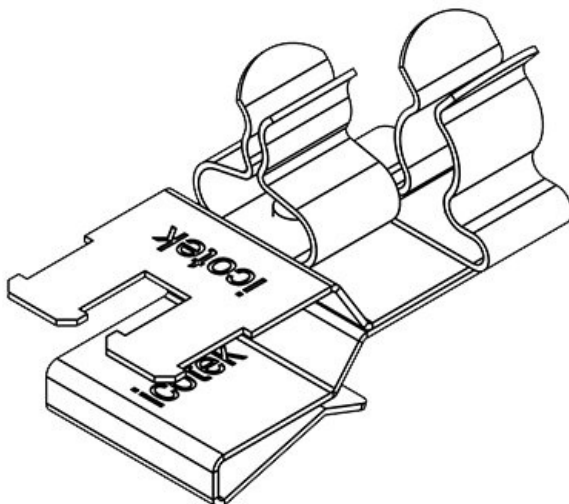
Part No.	36789.11	Min. shield diam. pos. 1	1,5 mm
EAN	4251269304682	Max. shield diam. pos. 1	3 mm
Package quantity	10	Min. shield diam. pos. 2	1,5 mm
Length	37 mm	Max. shield diam. pos. 2	3 mm
Strain relief (acc. to EN 62444)	1	Width	20 mm
No. of shield clamps	2	Height	21 mm
For max. no. of cables	2	Mounting height	13,5 mm

PFSZ2|SKL 12



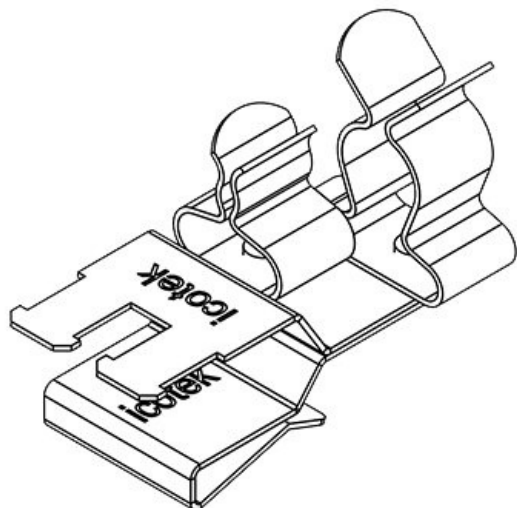
Part No.	36789.12	Min. shield diam. pos. 1	1,5 mm
EAN	4251269304699	Max. shield diam. pos. 1	3 mm
Package quantity	10	Min. shield diam. pos. 2	3 mm
Length	37 mm	Max. shield diam. pos. 2	6 mm
Strain relief (acc. to EN 62444)	1	Width	20 mm
No. of shield clamps	2	Height	21,6 mm
For max. no. of cables	2	Mounting height	14,1 mm

PFSZ2|SKL 13



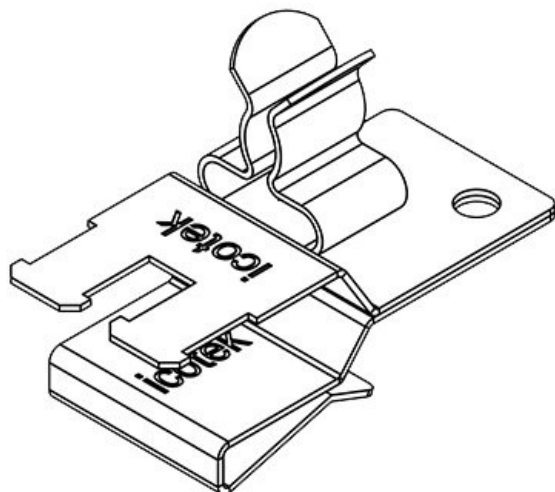
Part No.	36789.13	Min. shield diam. pos. 1	1,5 mm
EAN	4251269304705	Max. shield diam. pos. 1	3 mm
Package quantity	10	Min. shield diam. pos. 2	6 mm
Length	37 mm	Max. shield diam. pos. 2	8 mm
Strain relief (acc. to EN 62444)	1	Width	20 mm
No. of shield clamps	2	Height	23 mm
For max. no. of cables	2	Mounting height	15,5 mm

PFSZ2|SKL 14



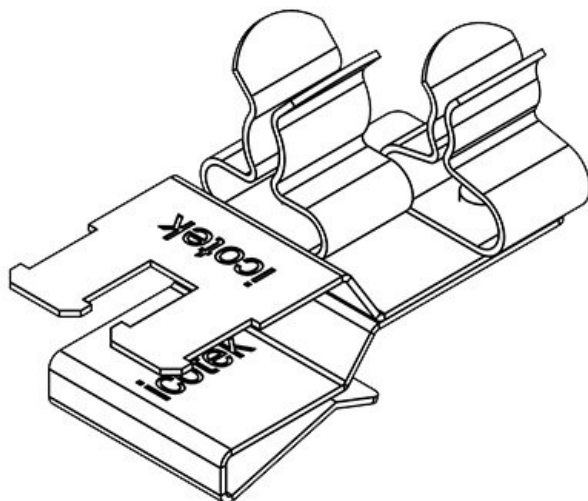
Part No.	36789.14	Min. shield diam. pos. 1	1,5 mm
EAN	4251269304712	Max. shield diam. pos. 1	3 mm
Package quantity	10	Min. shield diam. pos. 2	8 mm
Length	37 mm	Max. shield diam. pos. 2	11 mm
Strain relief (acc. to EN 62444)	1	Width	20 mm
No. of shield clamps	2	Height	28 mm
For max. no. of cables	2	Mounting height	20,5 mm

PFSZ2|SKL 20



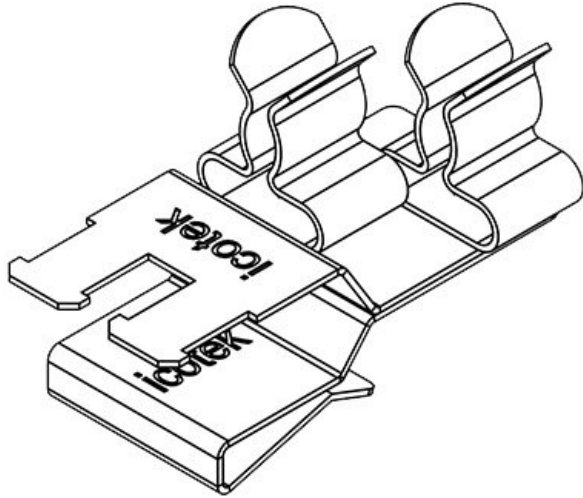
Part No.	36789.20	Min. shield diam. pos. 1	3 mm
EAN	4251269304729	Max. shield diam. pos. 1	6 mm
Package quantity	10	Width	18 mm
Length	37 mm	Height	21,6 mm
Strain relief (acc. to EN 62444)	1	Mounting height	14,1 mm
No. of shield clamps	1		
For max. no. of cables	1		

PFSZ2|SKL 21



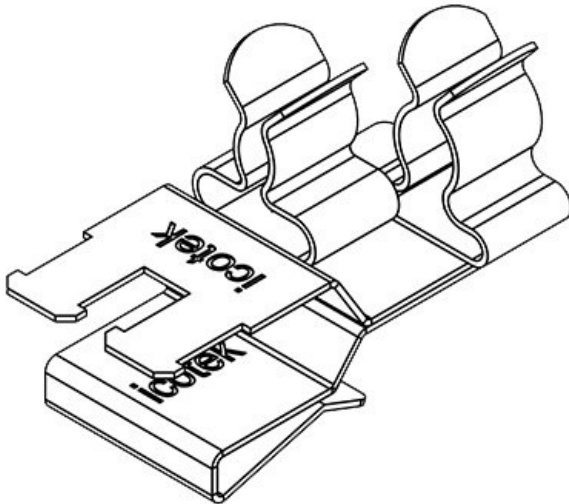
Part No.	36789.21	Min. shield diam. pos. 1	3 mm
EAN	4251269304736	Max. shield diam. pos. 1	6 mm
Package quantity	10	Min. shield diam. pos. 2	1,5 mm
Length	37 mm	Max. shield diam. pos. 2	3 mm
Strain relief (acc. to EN 62444)	1	Width	20 mm
No. of shield clamps	2	Height	21,6 mm
For max. no. of cables	2	Mounting height	14,1 mm

PFSZ2|SKL 22



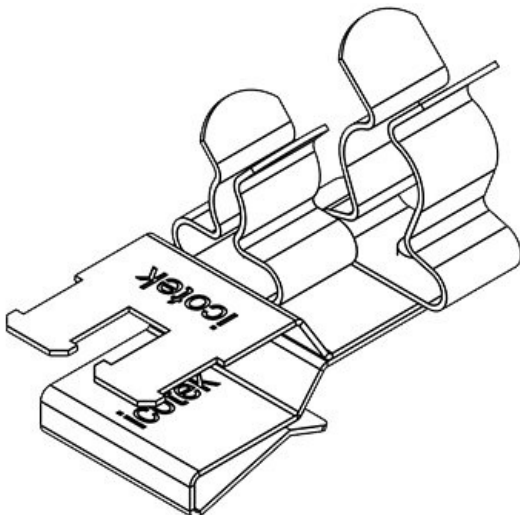
Part No.	36789.22	Min. shield	3 mm
EAN	4251269304	diam. pos. 1	
	743	Max. shield	6 mm
Package quantity	10	diam. pos. 1	
Length	37 mm	Min. shield	3 mm
Strain relief (acc. to EN 62444)	1	diam. pos. 2	
No. of shield clamps	2	Max. shield	6 mm
For max. no. of cables		diam. pos. 2	
		Width	20 mm
		Height	21,6 mm
		Mounting height	14,1 mm

PFSZ2|SKL 23



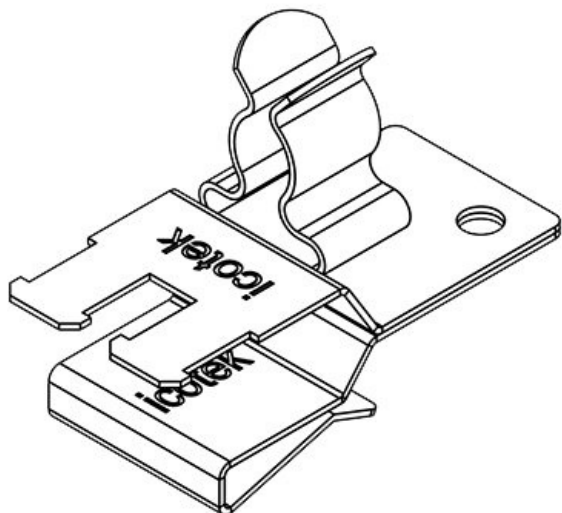
Part No.	36789.23	Min. shield	3 mm
EAN	4251269304	diam. pos. 1	
	750	Max. shield	6 mm
Package quantity	10	diam. pos. 1	
Length	37 mm	Min. shield	6 mm
Strain relief (acc. to EN 62444)	1	diam. pos. 2	
No. of shield clamps	2	Max. shield	8 mm
For max. no. of cables		diam. pos. 2	
		Width	20 mm
		Height	23 mm
		Mounting height	15,5 mm

PFSZ2|SKL 24



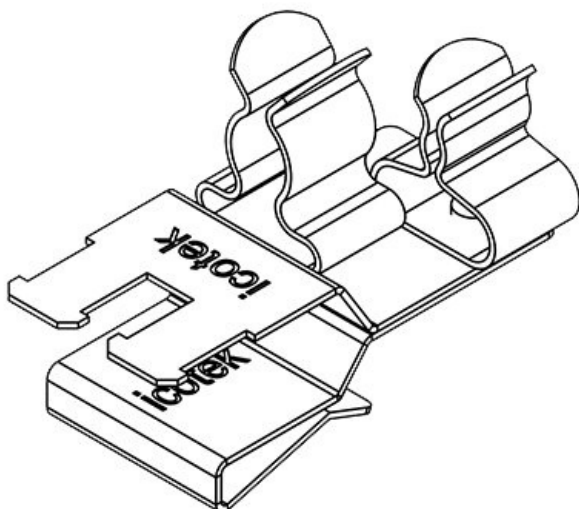
Part No.	36789.24	Min. shield	3 mm
EAN	4251269304	diam. pos. 1	
	767	Max. shield	6 mm
Package quantity	10	diam. pos. 1	
Length	37 mm	Min. shield	8 mm
Strain relief (acc. to EN 62444)	1	diam. pos. 2	
No. of shield clamps	2	Max. shield	11 mm
For max. no. of cables		diam. pos. 2	
		Width	20 mm
		Height	28 mm
		Mounting height	20,5 mm

PFSZ2|SKL 30



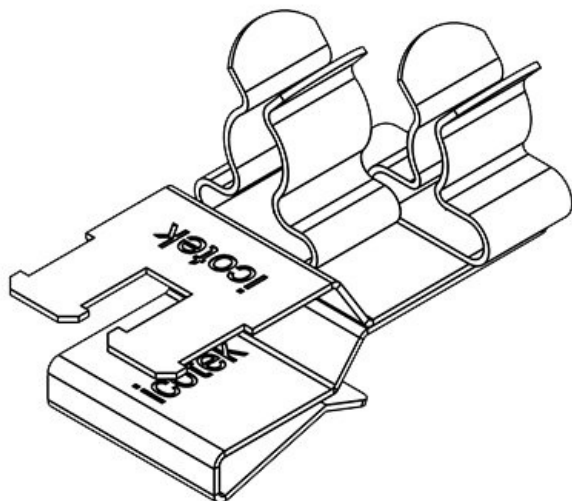
Part No.	36789.30	Min. shield	6 mm
EAN	4251269304	diam. pos. 1	
	774	Max. shield	8 mm
Package	10	diam. pos. 1	
quantity		Width	18 mm
Length	37 mm	Height	23 mm
Strain relief	1	Mounting	15,5 mm
(acc. to EN		height	
62444)			
No. of shield	1		
clamps			
For max. no. of	1		
cables			

PFSZ2|SKL 31



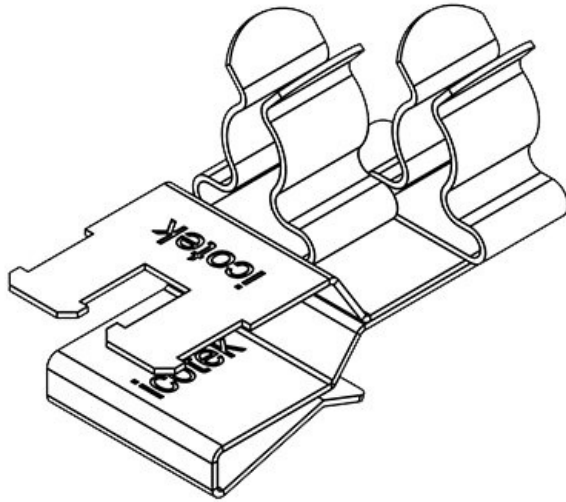
Part No.	36789.31	Min. shield	6 mm
EAN	4251269304	diam. pos. 1	
	781	Max. shield	8 mm
Package	10	diam. pos. 1	
quantity		Min. shield	1,5 mm
Length	37 mm	diam. pos. 2	
Strain relief	1	Max. shield	3 mm
(acc. to EN		diam. pos. 2	
62444)		Width	20 mm
No. of shield	2	Height	23 mm
clamps		Mounting	15,5 mm
For max. no. of	2	height	
cables			

PFSZ2|SKL 32



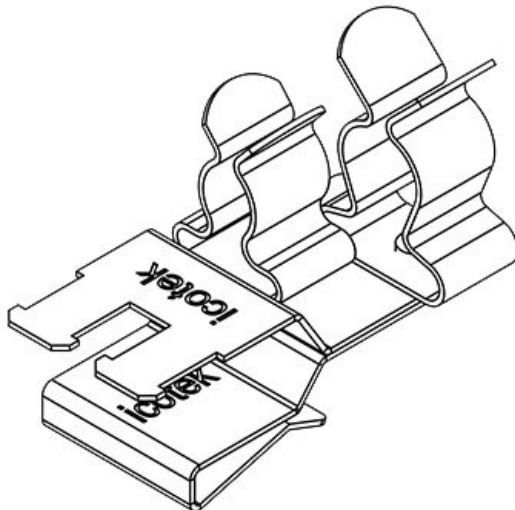
Part No.	36789.32	Min. shield	6 mm
EAN	4251269304	diam. pos. 1	
	798	Max. shield	8 mm
Package	10	diam. pos. 1	
quantity		Min. shield	3 mm
Length	37 mm	diam. pos. 2	
Strain relief	1	Max. shield	6 mm
(acc. to EN		diam. pos. 2	
62444)		Width	20 mm
No. of shield	2	Height	23 mm
clamps		Mounting	15,5 mm
For max. no. of	2	height	
cables			

PFSZ2|SKL 33



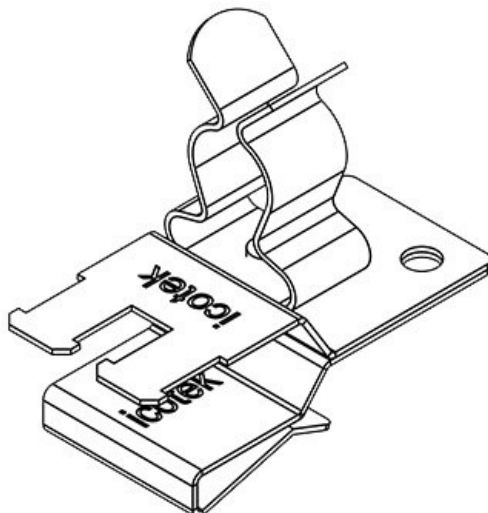
Part No.	36789.33	Min. shield	6 mm
EAN	4251269304	diam. pos. 1	
	804	Max. shield	8 mm
Package	10	diam. pos. 1	
quantity		Min. shield	6 mm
Length	37 mm	diam. pos. 2	
Strain relief	1	Max. shield	8 mm
(acc. to EN		diam. pos. 2	
62444)		Width	20 mm
No. of shield	2	Height	23 mm
clamps		Mounting	15,5 mm
For max. no. of		height	
cables			

PFSZ2|SKL 34



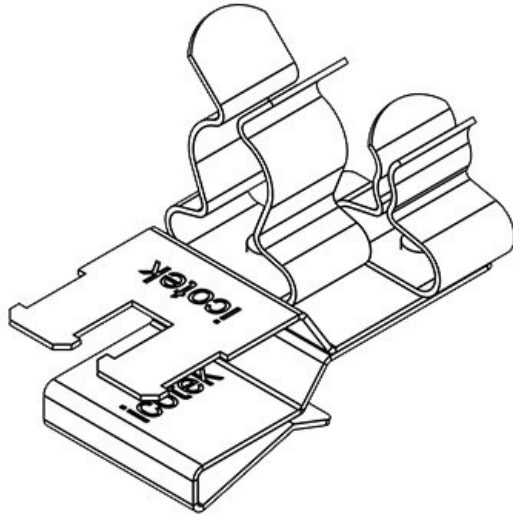
Part No.	36789.34	Min. shield	6 mm
EAN	4251269304	diam. pos. 1	
	811	Max. shield	8 mm
Package	10	diam. pos. 1	
quantity		Min. shield	8 mm
Length	37 mm	diam. pos. 2	
Strain relief	1	Max. shield	11 mm
(acc. to EN		diam. pos. 2	
62444)		Width	20 mm
No. of shield	2	Height	28 mm
clamps		Mounting	20,5 mm
For max. no. of		height	
cables			

PFSZ2|SKL 40



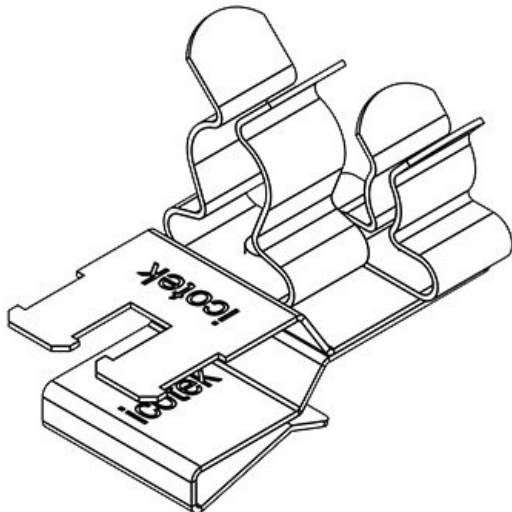
Part No.	36789.40	Min. shield	8 mm
EAN	4251269304	diam. pos. 1	
	828	Max. shield	11 mm
Package	10	diam. pos. 1	
quantity		Width	18 mm
Length	37 mm	Height	28 mm
Strain relief	1	Mounting	20,5 mm
(acc. to EN		height	
62444)			
No. of shield	1		
clamps			
For max. no. of			
cables			

PFSZ2|SKL 41



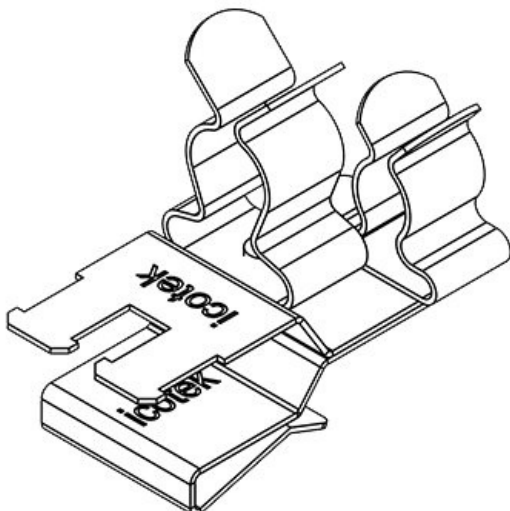
Part No.	36789.41	Min. shield	8 mm
EAN	4251269304	diam. pos. 1	
	835	Max. shield	11 mm
Package	10	diam. pos. 1	
quantity		Min. shield	1,5 mm
Length	37 mm	diam. pos. 2	
Strain relief	1	Max. shield	3 mm
(acc. to EN		diam. pos. 2	
62444)		Width	20 mm
No. of shield	2	Height	28 mm
clamps		Mounting	20,5 mm
For max. no. of		height	
cables			

PFSZ2|SKL 42



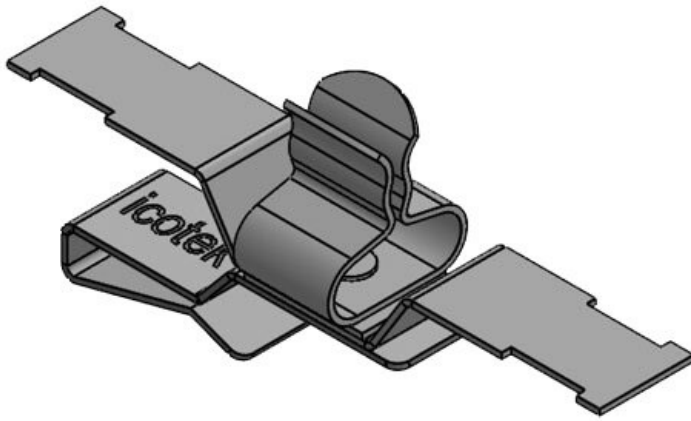
Part No.	36789.42	Min. shield	8 mm
EAN	4251269304	diam. pos. 1	
	842	Max. shield	11 mm
Package	10	diam. pos. 1	
quantity		Min. shield	3 mm
Length	37 mm	diam. pos. 2	
Strain relief	1	Max. shield	6 mm
(acc. to EN		diam. pos. 2	
62444)		Width	20 mm
No. of shield	2	Height	28 mm
clamps		Mounting	20,5 mm
For max. no. of		height	
cables			

PFSZ2|SKL 43



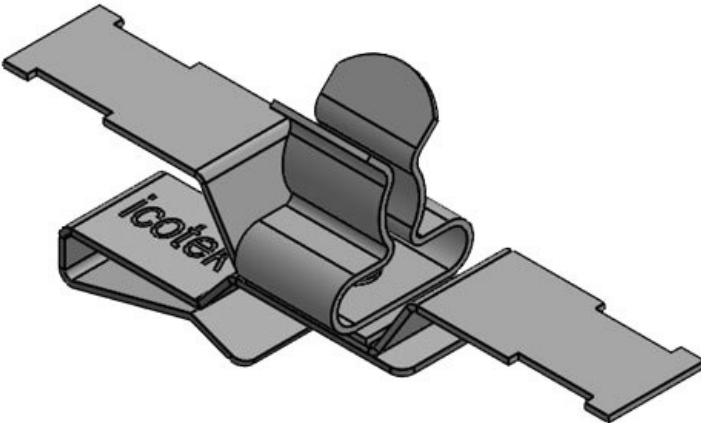
Part No.	36789.43	Min. shield	8 mm
EAN	4251269304	diam. pos. 1	
	859	Max. shield	11 mm
Package	10	diam. pos. 1	
quantity		Min. shield	6 mm
Length	37 mm	diam. pos. 2	
Strain relief	1	Max. shield	8 mm
(acc. to EN		diam. pos. 2	
62444)		Width	20 mm
No. of shield	2	Height	28 mm
clamps		Mounting	20,5 mm
For max. no. of		height	
cables			

PFS2Z|SKL 1.5-3



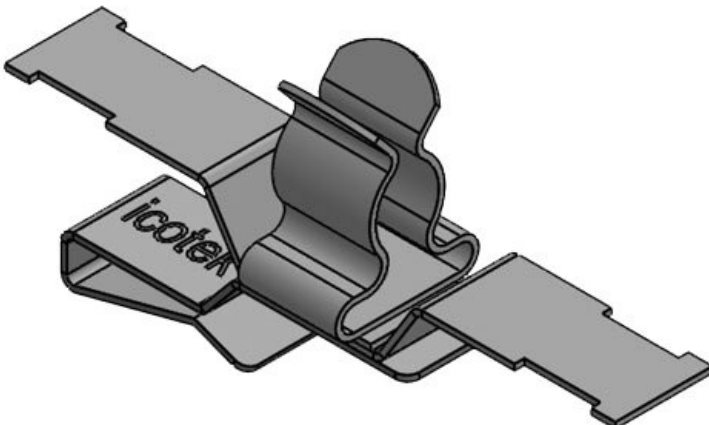
Part No.	36787.151	Max. shield diam.	3 mm
EAN	4251269321	Length	50,2 mm
	252	Width	11,8 mm
Package quantity	10	Height	21,4 mm
Strain relief (acc. to EN 62444)	1	Mounting height	13,9 mm
No. of shield clamps	1		
For max. no. of cables	1		
Min. shield diam.	1,5 mm		

PFS2Z|SKL 3-6



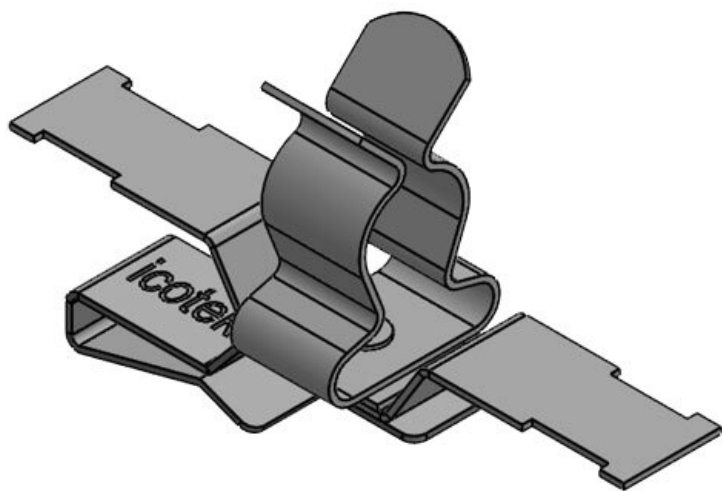
Part No.	36787.152	Max. shield diam.	6 mm
EAN	4251269321	Length	50,2 mm
	269	Width	11,8 mm
Package quantity	10	Height	22 mm
Strain relief (acc. to EN 62444)	1	Mounting height	14,5 mm
No. of shield clamps	1		
For max. no. of cables	1		
Min. shield diam.	3 mm		

PFS2Z|SKL 6-8



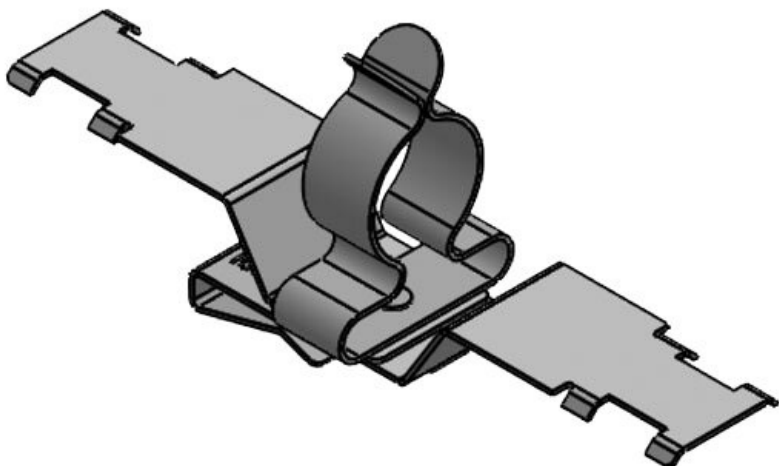
Part No.	36787.153	Max. shield diam.	8 mm
EAN	4251269321	Length	50,2 mm
	276	Width	11,8 mm
Package quantity	10	Height	23,5 mm
Strain relief (acc. to EN 62444)	1	Mounting height	16 mm
No. of shield clamps	1		
For max. no. of cables	1		
Min. shield diam.	6 mm		

PFS2Z|SKL 8-11



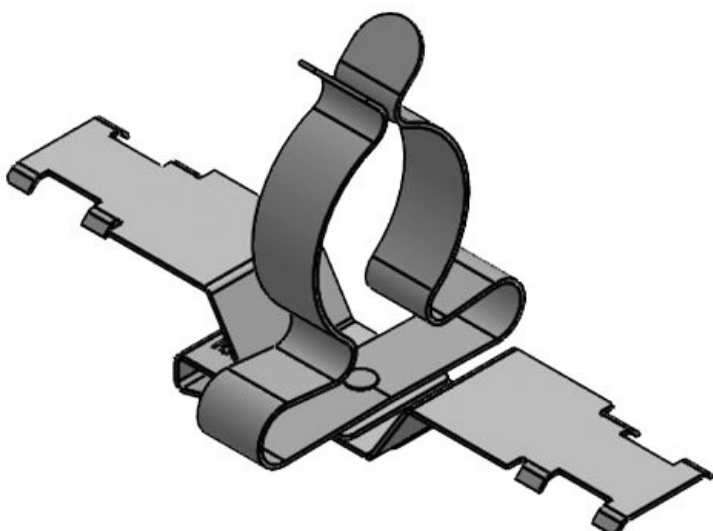
Part No.	36787.154	Max. shield diam.	11 mm
EAN	4251269321	Length	50,2 mm
	283	Width	14 mm
Package quantity	10	Height	28,5 mm
Strain relief (acc. to EN 62444)	1	Mounting height	21 mm
No. of shield clamps	1		
For max. no. of cables	1		
Min. shield diam.	8 mm		

PFS2Z|SKL 11-17



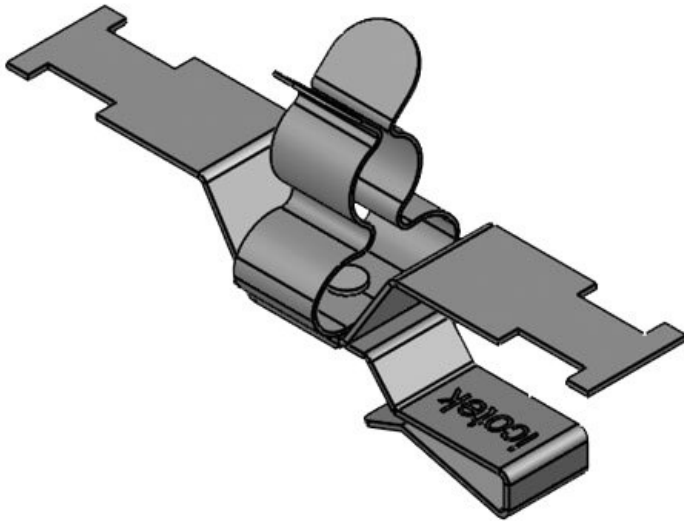
Part No.	36787.155	Max. shield diam.	17 mm
EAN	4251269321	Length	80 mm
	290	Width	21 mm
Package quantity	10	Height	35,5 mm
Strain relief (acc. to EN 62444)	1	Mounting height	28 mm
No. of shield clamps	1		
For max. no. of cables	1		
Min. shield diam.	11 mm		

PFS2Z|SKL 17-22



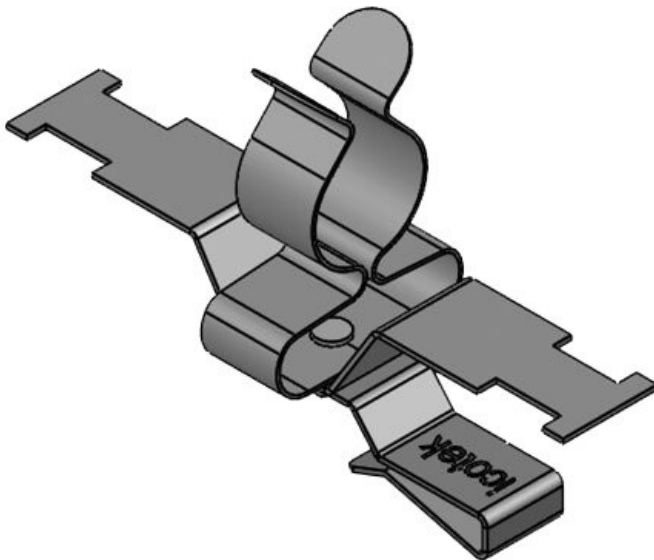
Part No.	36787.156	Max. shield diam.	22 mm
EAN	4251269321	Length	80 mm
	306	Width	35 mm
Package quantity	10	Height	47,6 mm
Strain relief (acc. to EN 62444)	1	Mounting height	40,1 mm
No. of shield clamps	1		
For max. no. of cables	1		
Min. shield diam.	17 mm		

PFS2Z-M|MSKL 3-12



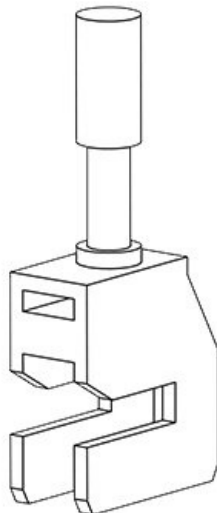
Part No.	37630.150	Min. shield	3 mm
EAN	4251269321	diam.	
	238	Max. shield	12 mm
Package	10	diam.	
quantity		Width	15 mm
Length	59 mm	Height	29,1 mm
Strain relief	1	Mounting	21,5 mm
(acc. to EN		height	
62444)			
No. of shield	1		
clamps			
For max. no. of	1		
cables			

PFS2Z-M|MSKL 8-18



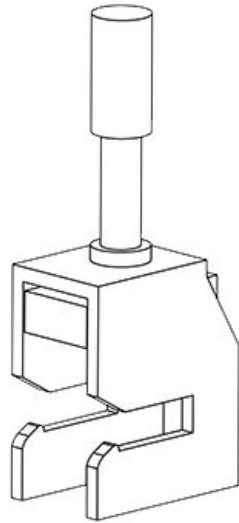
Part No.	37632.150	Min. shield	8 mm
EAN	4251269321	diam.	
	245	Max. shield	18 mm
Package	10	diam.	
quantity		Width	20 mm
Length	59 mm	Height	35,3 mm
Strain relief	1	Mounting	27,7 mm
(acc. to EN		height	
62444)			
No. of shield	1		
clamps			
For max. no. of	1		
cables			

SKS 2-5



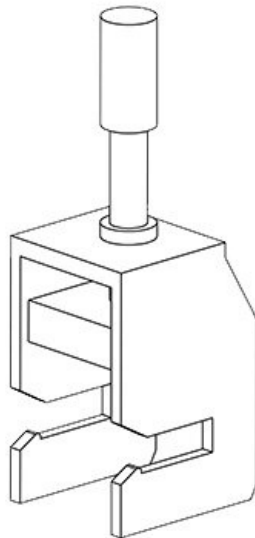
Part No.	36282	Width	19,5 mm
EAN	4251269302	Height	45 mm
	480		
Package	10		
quantity			
For max. no. of	1		
cables			
Min. shield	2 mm		
diam.			
Max. shield	5 mm		
diam.			
Length	9 mm		

SKS 3-8



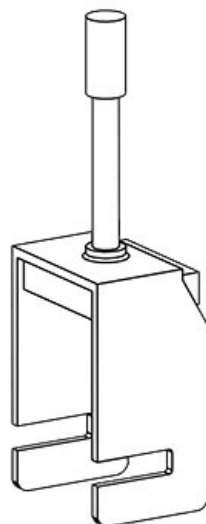
Part No.	36283	Width	19,5 mm
EAN	4251269302	Height	49 mm
	497		
Package quantity	10		
For max. no. of cables	1		
Min. shield diam.	3 mm		
Max. shield diam.	8 mm		
Length	12 mm		

SKS 3-14



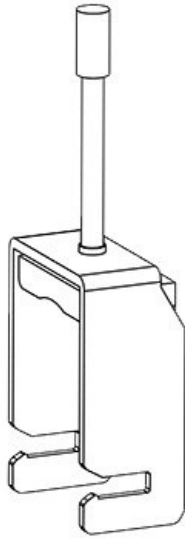
Part No.	36284	Width	19,5 mm
EAN	4251269302	Height	58,5 mm
	503		
Package quantity	10		
For max. no. of cables	1		
Min. shield diam.	3 mm		
Max. shield diam.	14 mm		
Length	17 mm		

SKS 3-20



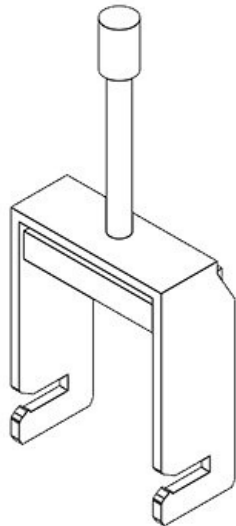
Part No.	36285	Width	19,5 mm
EAN	4251269302	Height	71 mm
	510		
Package quantity	10		
For max. no. of cables	1		
Min. shield diam.	3 mm		
Max. shield diam.	20 mm		
Length	24 mm		

SKS 5-28



Part No.	36286	Width	20 mm
EAN	4251269302	Height	91 mm
	527		
Package quantity	10		
For max. no. of cables	1		
Min. shield diam.	5 mm		
Max. shield diam.	28 mm		
Length	31,6 mm		

SKS 20-35



Part No.	36287	Width	20 mm
EAN	4251269302	Height	105 mm
	534		
Package quantity	10		
For max. no. of cables	1		
Min. shield diam.	20 mm		
Max. shield diam.	35 mm		
Length	40,6 mm		